



ALPHAGAZ™

品牌气





ALPHAGAZ™ 是液化空气针对实验室和分析应用的专属产品线。液空不仅能够提供高品质的气体，而且在包装方面不断革新，追求完美。液空通过在气瓶顶部加装新型的人体工学阀门 -SMARTOP™，增强使用过程中的安全性和便捷性。

ALPHAGAZ™ 优质特种气体

- 易于选择
- 可靠的交货时间
- 操作简便
- 品质可靠
- 易于使用
- 精准的分析
- 致力于客户支持

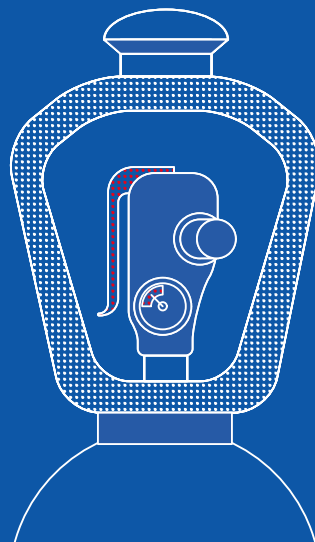
SMARTOP™ 易用，简洁，独特

- 开启简便
- 具有一键拨动式阀门开关
- 即使气瓶关闭，气体存量也一目了然
- 具有永久压力表
- 关闭迅速
- 残压保留阀
- 止回防止污染
- 人性化设计瓶帽永久可靠地保护阀门





N₂
氮



ALPHAGAZ™ 产品已经成功地投放全球市场，
为您提供最高效的方式确保分析的精准性。

ALPHAGAZ™ product range, successfully
launched worldwide, is the easiest way to
ensure the accuracy of your analysis.



■ 运输信息 Transport Information

运输专业名称 Proper shipping name	压缩氮 Compressed Nitrogen
联合国危险货物编号 UN No.	1066
联合国危险分类 ADR/RID	第 2.2 类 Class 2.2

■ 产品特性 Physical Information

分子量 Molecular Weight	28.01 g/mol
相对蒸气密度 (空气 = 1) Relative gas density (air = 1)	0.97
相对密度 (水 = 1) Relative density (water = 1)	.081
CAS 号 CAS Number	7727-37-9

■ 其他性质 Properties

危险鉴定 Hazards identification	高浓度下会产生窒息 in high concentrations may cause asphyxiation
易燃范围 Flammability range	不可燃 non flammable
个体防护 Personal protection	确保适当通风 ensure adequate ventilation

■ 产品规格 Product Specifications

等级 Grade	纯度 Purity	杂质含量 (体积分数) Impurities (Volume Fraction)							
ALPHAGAZ™ 1 N ₂	99.9995%	O ₂	<	1.0	ppm	CO	<	0.5	ppm
		H ₂	<	0.5	ppm	CO ₂	<	0.5	ppm
		H ₂ O	<	2.0	ppm	THC	<	0.1	ppm
ALPHAGAZ™ 2 N ₂	99.9999%	O ₂	<	100	ppb	NO	<	20	ppb
		H ₂	<	50	ppb	NO ₂	<	20	ppb
		CO	<	50	ppb	N ₂ O	<	20	ppb
		CO ₂	<	50	ppb	SO ₂	<	20	ppb
		CH ₄	<	50	ppb	H ₂ S	<	20	ppb
		NMTHC (as CH ₄)	<	50	ppb	NH ₃	<	20	ppb
		H ₂ O	<	400	ppb				
Research Grade N ₂	99.99995%	O ₂	<	50	ppb	NO	<	10	ppb
		H ₂	<	20	ppb	NO ₂	<	10	ppb
		CO	<	30	ppb	N ₂ O	<	10	ppb
		CO ₂	<	30	ppb	SO ₂	<	10	ppb
		CH ₄	<	30	ppb	H ₂ S	<	10	ppb
		NMTHC (as CH ₄)	<	30	ppb	NH ₃	<	10	ppb
		H ₂ O	<	200	ppb				
		Particles	<	0.1 μm (30 parts/ft ³)					

■ 钢瓶及连接件 Cylinder Equipment

包装方式 Supply Mode	气瓶规格 Cylinder Size	气瓶充装压力 Pressure@20 °C	ALPHAGAZ™ 1	ALPHAGAZ™ 2	Research Grade
钢瓶 Steel Cylinder	40L	14.5 ± 0.5MPa	●	●	○
钢瓶 Steel Cylinder	50L	19.5 ± 0.5MPa	●	●	○
铝瓶 Aluminum Cylinder	47L	14.5 ± 0.5MPa	○	○	●
集装格 Bundle	50L × 6	19.5 ± 0.5MPa	●	●	○
集装格 Bundle	50L × 16	19.5 ± 0.5MPa	●	●	○

阀门类型 Valve Type	阀门连接 Valve Connection
● SMARTOP™ 铜阀	G5/8"-14 右旋外螺纹
● RPV 铜阀 ★★★	G5/8"-14 右旋外螺纹
● 不锈钢阀隔膜阀	G5/8"-14 右旋外螺纹
○ Not applicable	
★★★ 集装格主阀 RPV 铜阀 × 2	G5/8"-14 右旋外螺纹



ALPHAGAZ™ 产品已经成功地投放全球市场，
为您提供最高效的方式确保分析的精准性。

ALPHAGAZ™ product range, successfully
launched worldwide, is the easiest way to
ensure the accuracy of your analysis.



■ 运输信息 Transport Information

运输专业名称 Proper shipping name	压缩氧 Compressed Oxygen
联合国危险货物编号 UN No.	1072
联合国危险分类 ADR/RID	第 2.2 类, 第 5.1 类 Class 2.2, Class 5.1

■ 产品特性 Physical Information

分子量 Molecular Weight	32.00 g/mol
相对蒸气密度 (空气 = 1) Relative gas density (air = 1)	1.43
相对密度 (水 = 1) Relative density (water = 1)	1.14
CAS 号 CAS Number	7782-44-7

■ 其他性质 Properties

危险鉴定 Hazards identification	氧化剂, 助燃, 与可燃物可发生强烈反应 oxidant, strongly supports combustion, may react violently with combustion materials
易燃范围 Flammability range	氧化剂 oxidiser
个体防护 Personal protection	防止产生富氧 (>23.5%) 环境 avoid oxygen-rich (>23.5%) atmospheres

■ 产品规格 Product Specifications

等级 Grade	纯度 Purity	杂质含量 (体积分数) Impurities (Volume Fraction)							
ALPHAGAZ™ 1 O ₂	99.9995%	N ₂	<	2.0	ppm	CO	<	0.5	ppm
		Ar	<	2.0	ppm	CO ₂	<	0.5	ppm
		H ₂	<	0.5	ppm	THC	<	0.1	ppm
		H ₂ O	<	2.0	ppm				
ALPHAGAZ™ 2 O ₂	99.9999%	N ₂	<	200	ppb	NO	<	20	ppb
		Ar	<	200	ppb	NO ₂	<	20	ppb
		H ₂	<	50	ppb	N ₂ O	<	20	ppb
		CO	<	50	ppb	SO ₂	<	20	ppb
		CO ₂	<	50	ppb	H ₂ S	<	20	ppb
		CH ₄	<	50	ppb	NH ₃	<	20	ppb
		NMTHC (as CH ₄)	<	50	ppb				
		H ₂ O	<	400	ppb				
Research Grade O ₂	99.99995%	N ₂	<	200	ppb	NO	<	10	ppb
		Ar	<	200	ppb	NO ₂	<	10	ppb
		H ₂	<	20	ppb	N ₂ O	<	10	ppb
		CO	<	30	ppb	SO ₂	<	10	ppb
		CO ₂	<	30	ppb	H ₂ S	<	10	ppb
		CH ₄	<	30	ppb	NH ₃	<	10	ppb
		NMTHC (as CH ₄)	<	30	ppb				
		H ₂ O	<	200	ppb				
		Particles	<	0.1 μm	(30 parts/ft ³)				

■ 钢瓶及连接件 Cylinder Equipment

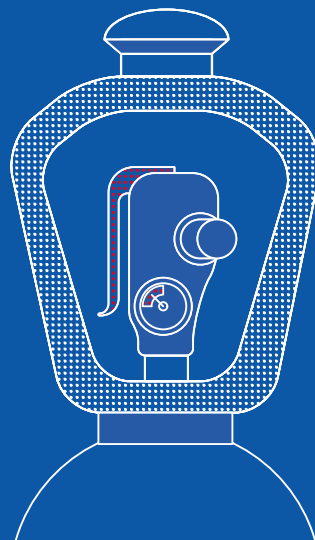
包装方式 Supply Mode	气瓶规格 Cylinder Size	气瓶充装压力 Pressure@20 °C	ALPHAGAZ™ 1	ALPHAGAZ™ 2	Research Grade
钢瓶, Steel Cylinder	40L	14.5 ± 0.5MPa	●	●	○
钢瓶, Steel Cylinder	50L	19.5 ± 0.5MPa	●	●	○
铝瓶, Aluminum Cylinder	47L	14.5 ± 0.5MPa	○	○	●
集装格 Bundle	50L × 6	19.5 ± 0.5MPa	●	●	○
集装格 Bundle	50L × 16	19.5 ± 0.5MPa	●	●	○

	阀门类型 Valve Type	阀门连接 Valve Connection
●	SMARTOP™ 铜阀	G5/8"-14 右旋外螺纹
●	RPV 铜阀 ★★★	G5/8"-14 右旋外螺纹
●	不锈钢阀隔膜阀	G5/8"-14 右旋外螺纹
○	Not applicable	
★★★	集装格主阀 RPV 铜阀 × 2	G5/8"-14 右旋外螺纹



Air

空气



ALPHAGAZ™ 产品已经成功地投放全球市场，为您提供最高效的方式确保分析的精准性。

ALPHAGAZ™ product range, successfully launched worldwide, is the easiest way to ensure the accuracy of your analysis.



■ 运输信息 Transport Information

运输专业名称 Proper shipping name	压缩空气 Compressed Air
联合国危险货物编号 UN No.	1002
联合国危险分类 ADR/RID	第 2.2 类 Class 2.2

■ 产品特性 Physical Information

分子量 Molecular Weight	28.83 g/mol	
O ₂ (20.5 ± 0.5)% N ₂ Balance	氧 O ₂	氮 N ₂
相对蒸气密度 (空气 = 1) Relative gas density (air = 1)	1.43	0.97
相对密度 (水 = 1) Relative density (water = 1)	1.14	0.81
CAS 号 CAS Number	7782-44-7	7727-37-9

■ 其他性质 Properties

危险鉴定 Hazards identification	压力下气体，如受热可爆炸 pressure gas, such as heat, can explode
易燃范围 Flammability range	不燃 non flammable
个体防护 Personal protection	确保适当通风 ensure adequate ventilation

■ 产品规格 Product Specifications

等级 Grade	纯度 Purity	杂质含量 (体积分数) Impurities (Volume Fraction)							
ALPHAGAZ™ 1 Air	O ₂ (20.5 ± 0.5)% N ₂ Balance O ₂ +N ₂ ≥99.9995%	CO	<	0.5	ppm	THC	<	0.1	ppm
		CO ₂	<	0.5	ppm	H ₂ O	<	2.0	ppm
ALPHAGAZ™ 2 Air	O ₂ (20.5 ± 0.5)% N ₂ Balance O ₂ +N ₂ ≥99.9999%	H ₂	<	50	ppb	NO	<	20	ppb
		CO	<	50	ppb	NO ₂	<	20	ppb
		CO ₂	<	50	ppb	N ₂ O	<	20	ppb
		CH ₄	<	50	ppb	SO ₂	<	20	ppb
		NMTHC(as CH ₄)	<	50	ppb	H ₂ S	<	20	ppb
		H ₂ O	<	400	ppb	NH ₃	<	20	ppb
Research Grade Air	O ₂ (20.5 ± 0.5)% N ₂ Balance O ₂ +N ₂ ≥99.99995%	H ₂	<	20	ppb	NO	<	10	ppb
		CO	<	30	ppb	NO ₂	<	10	ppb
		CO ₂	<	30	ppb	N ₂ O	<	10	ppb
		CH ₄	<	30	ppb	SO ₂	<	10	ppb
		NMTHC (as CH ₄)	<	30	ppb	H ₂ S	<	10	ppb
		H ₂ O	<	200	ppb	NH ₃	<	10	ppb
		Particles	<	0.1 μm (30 parts/ft ³)					

■ 钢瓶及连接件 Cylinder Equipment

包装方式 Supply Mode	气瓶规格 Cylinder Size	气瓶充装压力 Pressure@20 °C	ALPHAGAZ™ 1	ALPHAGAZ™ 2	Research Grade
钢瓶, Steel Cylinder	40L	14.5 ± 0.5MPa	●	●	○
钢瓶, Steel Cylinder	50L	19.5 ± 0.5MPa	●	●	○
铝瓶, Aluminum Cylinder	47L	14.5 ± 0.5MPa	○	○	●
集装格 Bundle	50L × 6	19.5 ± 0.5MPa	●	●	○
集装格 Bundle	50L × 16	19.5 ± 0.5MPa	●	●	○

阀门类型 Valve Type	阀门连接 Valve Connection
● SMARTOP™ 铜阀	G5/8"-14 右旋外螺纹
● RPV 铜阀 ★★★	G5/8"-14 右旋外螺纹
● 不锈钢阀隔膜阀	G5/8"-14 右旋外螺纹
○ Not applicable	
★★★ 集装格主阀 RPV 铜阀 × 2	G5/8"-14 右旋外螺纹



ALPHAGAZ™ 产品已经成功地投放全球市场，为您提供最高效的方式确保分析的精准性。

ALPHAGAZ™ product range, successfully launched worldwide, is the easiest way to ensure the accuracy of your analysis.



■ 运输信息 Transport Information

运输专业名称 Proper shipping name	压缩氩 Compressed Argon
联合国危险货物编号 UN No.	1006
联合国危险分类 ADR/RID	第 2.2 类 Class 2.2

■ 产品特性 Physical Information

分子量 Molecular Weight	39.95 g/mol
相对蒸气密度 (空气 = 1) Relative gas density (air = 1)	1.66
相对密度 (水 = 1) Relative density (water = 1)	1.40
CAS 号 CAS Number	7440-37-1

■ 其他性质 Properties

危险鉴定 Hazards identification	高浓度下会产生窒息 in high concentrations may cause asphyxiation
易燃范围 Flammability range	不可燃 non flammable
个体防护 Personal protection	确保适当通风 ensure adequate ventilation

■ 产品规格 Product Specifications

等级 Grade	纯度 Purity	杂质含量 (体积分数) Impurities (Volume Fraction)							
ALPHAGAZ™ 1 Ar	99.9995%	N ₂	<	2.0	ppm	CO	<	0.3	ppm
		O ₂	<	1.0	ppm	CO ₂	<	0.3	ppm
		H ₂	<	0.5	ppm	THC	<	0.1	ppm
		H ₂ O	<	2.0	ppm				
ALPHAGAZ™ 2 Ar	99.9999%	O ₂	<	100	ppb	NO	<	20	ppb
		H ₂	<	50	ppb	NO ₂	<	20	ppb
		CO	<	50	ppb	N ₂ O	<	20	ppb
		CO ₂	<	50	ppb	SO ₂	<	20	ppb
		CH ₄	<	50	ppb	H ₂ S	<	20	ppb
		NMTHC (as CH ₄)	<	50	ppb	NH ₃	<	20	ppb
		H ₂ O	<	400	ppb				
Research Grade Ar	99.99995%	O ₂	<	50	ppb	NO	<	10	ppb
		H ₂	<	20	ppb	NO ₂	<	10	ppb
		CO	<	30	ppb	N ₂ O	<	10	ppb
		CO ₂	<	30	ppb	SO ₂	<	10	ppb
		CH ₄	<	30	ppb	H ₂ S	<	10	ppb
		NMTHC (as CH ₄)	<	30	ppb	NH ₃	<	10	ppb
		H ₂ O	<	200	ppb				
		Particles	<	0.1 μm (30 parts/ft ³)					

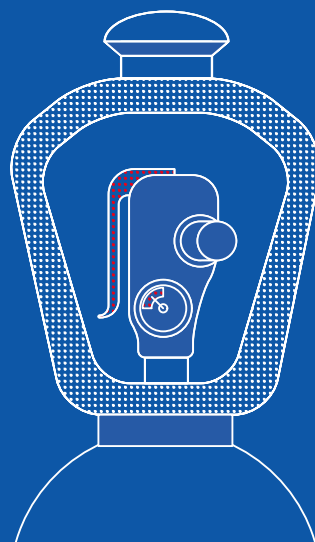
■ 钢瓶及连接件 Cylinder Equipment

包装方式 Supply Mode	气瓶规格 Cylinder Size	气瓶充装压力 Pressure@20 °C	ALPHAGAZ™ 1	ALPHAGAZ™ 2	Research Grade
钢瓶, Steel Cylinder	40L	14.5 ± 0.5MPa	●	●	○
钢瓶, Steel Cylinder	50L	19.5 ± 0.5MPa	●	●	○
铝瓶, Aluminum Cylinder	47L	14.5 ± 0.5MPa	○	○	●
集装格 Bundle	50L × 6	19.5 ± 0.5MPa	●	●	○
集装格 Bundle	50L × 16	19.5 ± 0.5MPa	●	●	○

阀门类型 Valve Type	阀门连接 Valve Connection
● SMARTOP™ 铜阀	G5/8"-14 右旋外螺纹
● RPV 铜阀 ★★★	G5/8"-14 右旋外螺纹
● 不锈钢阀隔膜阀	G5/8"-14 右旋外螺纹
○ Not applicable	
★★★ 集装格主阀 RPV 铜阀 × 2	G5/8"-14 右旋外螺纹



H₂
氢



ALPHAGAZ™ 产品已经成功地投放全球市场，为您提供最高效的方式确保分析的精准性。

ALPHAGAZ™ product range, successfully launched worldwide, is the easiest way to ensure the accuracy of your analysis.



■ 运输信息 Transport Information

运输专业名称 Proper shipping name	压缩氢 Compressed Hydrogen
联合国危险货物编号 UN No.	1049
联合国危险分类 ADR/RID	第 2.1 类 Class 2.1

■ 产品特性 Physical Information

分子量 Molecular Weight	2.02 g/mol
相对蒸气密度 (空气 = 1) Relative gas density (air = 1)	0.07
相对密度 (水 = 1) Relative density (water = 1)	0.07
CAS 号 CAS Number	1333-74-0

■ 其他性质 Properties

危险鉴定 Hazards identification	极易燃 extremely flammable
易燃范围 Flammability range	4-75% (空气中的体积百分比) 4 – 75 vol% in air
个人防护 Personal protection	确保适当通风，严禁吸烟 ensure adequate ventilation, do not smoke while handling product.

■ 产品规格 Product Specifications

等级 Grade	纯度 Purity	杂质含量 (体积分数) Impurities (Volume Fraction)							
ALPHAGAZ™ 1 H ₂	99.9995%	N ₂	<	2.0	ppm	CO	<	0.5	ppm
		O ₂ +Ar	<	1.0	ppm	CO ₂	<	0.5	ppm
		H ₂ O	<	2.0	ppm	THC	<	0.1	ppm
ALPHAGAZ™ 2 H ₂	99.9999%	O ₂	<	100	ppb	NO	<	20	ppb
		N ₂	<	400	ppb	NO ₂	<	20	ppb
		CO	<	50	ppb	N ₂ O	<	20	ppb
		CO ₂	<	50	ppb	SO ₂	<	20	ppb
		CH ₄	<	50	ppb	H ₂ S	<	20	ppb
		NMTHC (as CH ₄)	<	50	ppb	NH ₃	<	20	ppb
		H ₂ O	<	400	ppb				
Research Grade H ₂	99.99995%	O ₂	<	50	ppb	NO	<	10	ppb
		N ₂	<	200	ppb	NO ₂	<	10	ppb
		CO	<	30	ppb	N ₂ O	<	10	ppb
		CO ₂	<	30	ppb	SO ₂	<	10	ppb
		CH ₄	<	30	ppb	H ₂ S	<	10	ppb
		NMTHC (as CH ₄)	<	30	ppb	NH ₃	<	10	ppb
		H ₂ O	<	200	ppb				
		Particles	<	0.1 μm (30 parts/ft ³)					

■ 钢瓶及连接件 Cylinder Equipment

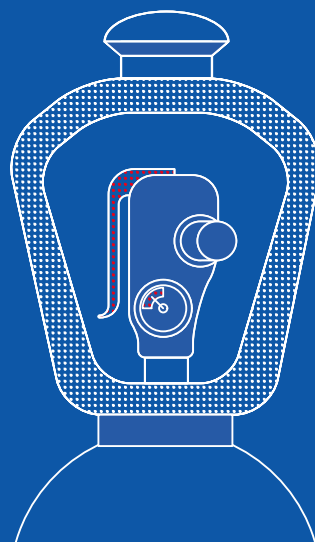
包装方式 Supply Mode	气瓶规格 Cylinder Size	气瓶充装压力 Pressure@20 °C	ALPHAGAZ™ 1	ALPHAGAZ™ 2	Research Grade
钢瓶, Steel Cylinder	40L	14.5 ± 0.5MPa	●	●	○
钢瓶, Steel Cylinder	50L	19.5 ± 0.5MPa	●	●	○
铝瓶, Aluminum Cylinder	47L	14.5 ± 0.5MPa	○	○	●
集装格 Bundle	50L × 6	19.5 ± 0.5MPa	●	●	○
集装格 Bundle	50L × 16	19.5 ± 0.5MPa	●	●	○

	阀门类型 Valve Type	阀门连接 Valve Connection
●	SMARTOP™ 铜阀	W21.8"-14 左旋外螺纹
●	RPV 铜阀 ★★★	W21.8"-14 左旋外螺纹
●	不锈钢阀隔膜阀	W21.8"-14 左旋外螺纹
○	Not applicable	
★★★	集装格主阀 RPV 铜阀 × 2	W21.8"-14 左旋外螺纹



He

氦



ALPHAGAZ™ 产品已经成功地投放全球市场，为您提供最高效的方式确保分析的精准性。

ALPHAGAZ™ product range, successfully launched worldwide, is the easiest way to ensure the accuracy of your analysis.



■ 运输信息 Transport Information

运输专业名称 Proper shipping name	压缩氦 Compressed Helium
联合国危险货物编号 UN No.	1046
联合国危险分类 ADR/RID	第 2.2 类 Class 2.2

■ 产品特性 Physical Information

分子量 Molecular Weight	4.00 g/mol
相对蒸气密度 (空气 = 1) Relative gas density (air = 1)	0.14
相对密度 (水 = 1) Relative density (water = 1)	0.15
CAS 号 CAS Number	7440-59-7

■ 其他性质 Properties

危险鉴定 Hazards identification	高浓度下会产生窒息 in high concentrations may cause asphyxiation
易燃范围 Flammability range	不可燃 non flammable
个体防护 Personal protection	确保适当通风 ensure adequate ventilation

■ 产品规格 Product Specifications

等级 Grade	纯度 Purity	杂质含量 (体积分数) Impurities (Volume Fraction)					
ALPHAGAZ™ 1 He	99.9995%	N ₂	<	2.0 ppm	CO	<	0.5 ppm
		O ₂ +Ar	<	1.0 ppm	CO ₂	<	0.5 ppm
		H ₂	<	0.5 ppm	THC	<	0.1 ppm
		H ₂ O	<	2.0 ppm	Ne	<	4.0 ppm
ALPHAGAZ™ 2 He	99.9999%	N ₂	<	100 ppb	NO	<	20 ppb
		H ₂	<	50 ppb	NO ₂	<	20 ppb
		O ₂ +Ar	<	100 ppb	N ₂ O	<	20 ppb
		CO	<	50 ppb	SO ₂	<	20 ppb
		CO ₂	<	50 ppb	H ₂ S	<	20 ppb
		CH ₄	<	50 ppb	NH ₃	<	20 ppb
		NMTHC (as CH ₄)	<	50 ppb			
		H ₂ O	<	400 ppb			
Research Grade He	99.99995%	N ₂	<	100 ppb	NO	<	10 ppb
		H ₂	<	20 ppb	NO ₂	<	10 ppb
		O ₂ +Ar	<	50 ppb	N ₂ O	<	10 ppb
		CO	<	30 ppb	SO ₂	<	10 ppb
		CO ₂	<	30 ppb	H ₂ S	<	10 ppb
		CH ₄	<	30 ppb	NH ₃	<	10 ppb
		NMTHC (as CH ₄)	<	30 ppb			
		H ₂ O	<	200 ppb			
		Particles	<	0.1 μm (30 parts/ft ³)			

■ 钢瓶及连接件 Cylinder Equipment

包装方式 Supply Mode	气瓶规格 Cylinder Size	气瓶充装压力 Pressure@20 °C	ALPHAGAZ™ 1	ALPHAGAZ™ 2	Research Grade
钢瓶, Steel Cylinder	40L	14.5 ± 0.5MPa	●	●	○
钢瓶, Steel Cylinder	50L	19.5 ± 0.5MPa	●	●	○
铝瓶, Aluminum Cylinder	47L	14.5 ± 0.5MPa	○	○	●
集装格 Bundle	50L × 6	19.5 ± 0.5MPa	●	●	○
集装格 Bundle	50L × 16	19.5 ± 0.5MPa	●	●	○

阀门类型 Valve Type	阀门连接 Valve Connection
● SMARTOP™ 铜阀	G5/8"-14 右旋外螺纹
● RPV 铜阀 ★★★	G5/8"-14 右旋外螺纹
● 不锈钢阀隔膜阀	G5/8"-14 右旋外螺纹
○ Not applicable	
★★★ 集装格主阀 RPV 铜阀 × 2	G5/8"-14 右旋外螺纹



ALPHAGAZ™ 产品已经成功地投放全球市场，
为您提供最高效的方式确保分析的精准性。

ALPHAGAZ™ product range, successfully
launched worldwide, is the easiest way to
ensure the accuracy of your analysis.

■ 产品特性 Physical Information

介质 Medium	氮	氩	氧
分子量 Molecular weight	28.01 g/mol	39.95 g/mol	32 g/mol
相对蒸气密度 (空气 = 1) Relative gas density (air = 1)	0.97	1.38	1.43
相对密度 (水 = 1) Relative density (water = 1)	0.8	1.40	1.14
CAS 号 CAS Number	7727-37-9	7440-37-1	7782-44-7

■ 运输信息 Transport Information

介质 Medium	氮	氩	氧
运输专业名称 Proper shipping name	冷冻液态氮 Nitrogen, refrigerated liquid	冷冻液态氩 Argon, refrigerated liquid	冷冻液态氧 Oxygen, refrigerated liquid
联合国危险货物编号 UN No.	1977	1951	1073
联合国危险分类 ADR/RID	第 2.2 类 Class 2.2	第 2.2 类 Class 2.2	第 2.2 类, 第 5.1 类 Class 2.2, Class 5.1

■ ALPHAGAZ™ LGC 产品规格表

等级 Grade	纯度 Purity	杂质含量 (体积分数) Impurities (Volume Fraction)							
ALPHAGAZ™ 1 N ₂	99.9995%	O ₂	<	1.0	ppm	CO	<	0.5	ppm
		H ₂	<	0.5	ppm	CO ₂	<	0.5	ppm
		H ₂ O	<	2.0	ppm	THC	<	0.1	ppm
ALPHAGAZ™ 1 Ar	99.9995%	N ₂	<	2.0	ppm	CO	<	0.3	ppm
		O ₂	<	1.0	ppm	CO ₂	<	0.3	ppm
		H ₂	<	0.5	ppm	THC	<	0.1	ppm
		H ₂ O	<	2.0	ppm				
ALPHAGAZ™ 1 O ₂	99.9995%	N ₂	<	2.0	ppm	CO	<	0.5	ppm
		Ar	<	2.0	ppm	CO ₂	<	0.5	ppm
		H ₂	<	0.5	ppm	THC	<	0.1	ppm
		H ₂ O	<	2.0	ppm				

■ ALPHAGAZ™ LGC 包装规格参数^①

规格 Model		DC-160		DC-180		DC-200	
压力级别 Pressure	中压 / 高压	MP	HP	MP	HP	MP	HP
容量 (升) Capacity(L)	几何容积 Gross	176		196		209	
	净容积 Net	165		185		196	
安全阀设定压力 ^② Relief Valve Setting Pressure	psig/MPa	230/1.6	350/2.4	230/1.6	350/2.4	230/1.6	350/2.4
输出连接 Output Connection ^③		气相阀 -3/8" FPT 液相阀 -3/8" FPT					
气瓶直径 Diameter	厘米 cm	50.8					
空重 Empty Weight (kg)	公斤 kg	113.4	126.9	117.9	136.1	126.9	145.1
满重 (公斤) ^④ Full Weight (kg)	N ₂	234	241	253	263	271	280
	O ₂	285	290	309	318	331	339
	Ar	322	325	351	357	375	380
标准状态下气体体积 ^④ Standard Volume (Nm ³)	N ₂	97	91	108	102	115	108
	O ₂	120	114	134	127	143	133
	Ar	117	111	130	124	139	130
性能 Performance							
日蒸发率 (%/ 每天) NER(% per day)	N ₂	2		1.9		1.85	
	O ₂ /Ar	1.4		1.3		1.2	
汽化速度 Gas Flow/(Nm ³ /Hr)	N ₂ /O ₂ /Ar	9.2		9.2		10.5	

① 选用液空合作厂商查特 CHART 品牌, 参数由厂商提供

② 除上述设定压力外, 另可选 22psig/0.15MPa 的低压设定值规格

③ 可根据用户需求提供适配连接件

④ 为在安全阀设定压力值条件下的数据

ALPHAGAZ™ 品牌气杂质含量（体积分数）一览表

ALPHAGAZ™ 1	O ₂	N ₂	Ar	He	H ₂	Air
杂质含量（体积分数） Impurities (Volume Fraction) ppm	99.9995%	99.9995%	99.9995%	99.9995%	99.9995%	O ₂ (20.5 ± 0.5)% N ₂ Balance O ₂ + N ₂ ≥ 99.9995%
Ne				4		
N ₂	2		2	2	2	
O ₂		1	1			
Ar	2					
O ₂ +Ar				1	1	
H ₂	0.5	0.5	0.5	0.5		
CO	0.5	0.5	0.3	0.5	0.5	0.5
CO ₂	0.5	0.5	0.3	0.5	0.5	0.5
THC	0.1	0.1	0.1	0.1	0.1	0.1
H ₂ O	2	2	2	2	2	2

ALPHAGAZ™ 2	O ₂	N ₂	Ar	He	H ₂	Air
杂质含量（体积分数） Impurities (Volume Fraction) ppb	99.9999%	99.9999%	99.9999%	99.9999%	99.9999%	O ₂ (20.5 ± 0.5)% N ₂ Balance O ₂ + N ₂ ≥ 99.9999%
O ₂		100	100		100	
N ₂	200			100	400	
Ar	200					
H ₂	50	50	50	50		50
O ₂ +Ar				100		
CO	50	50	50	50	50	50
CO ₂	50	50	50	50	50	50
NMTHC (as CH ₄)	50	50	50	50	50	50
CH ₄	50	50	50	50	50	50
NO	20	20	20	20	20	20
NO ₂	20	20	20	20	20	20
N ₂ O	20	20	20	20	20	20
SO ₂	20	20	20	20	20	20
H ₂ S	20	20	20	20	20	20
NH ₃	20	20	20	20	20	20
H ₂ O	400	400	400	400	400	400

Research Grade	O ₂	N ₂	Ar	He	H ₂	Air
杂质含量（体积分数） Impurities (Volume Fraction) ppb	99.99995%	99.99995%	99.99995%	99.99995%	99.99995%	O ₂ (20.5 ± 0.5)% N ₂ Balance O ₂ + N ₂ ≥ 99.99995%
O ₂		50	50		50	50
N ₂	200			100	200	200
Ar	200					
H ₂	20	20	20	20		
O ₂ +Ar				50		
CO	30	30	30	30	30	30
CO ₂	30	30	30	30	30	30
NMTHC (as CH ₄)	30	30	30	30	30	30
CH ₄	30	30	30	30	30	30
NO	10	10	10	10	10	10
NO ₂	10	10	10	10	10	10
N ₂ O	10	10	10	10	10	10
SO ₂	10	10	10	10	10	10
H ₂ S	10	10	10	10	10	10
NH ₃	10	10	10	10	10	10
H ₂ O	200	200	200	200	200	200

Particles < 0.1 μm = < 30 parts/ft³

气瓶尺寸

Cylinder Size

参见下图 (尺寸以毫米计)

Refer to the drawings (dimension in mm)

50L Cylinder

H1 = 229

H2 = 1740

47L Aluminum Cylinder

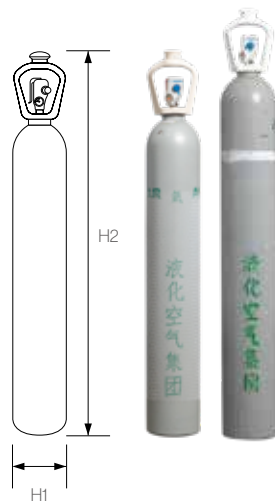
H1 = 232

H2 = 1731

40L Cylinder

H1 = 229

H2 = 1560



LGC (165L)

W1 = 600

L1 = 1028

H3 = 1440

H4 = 240

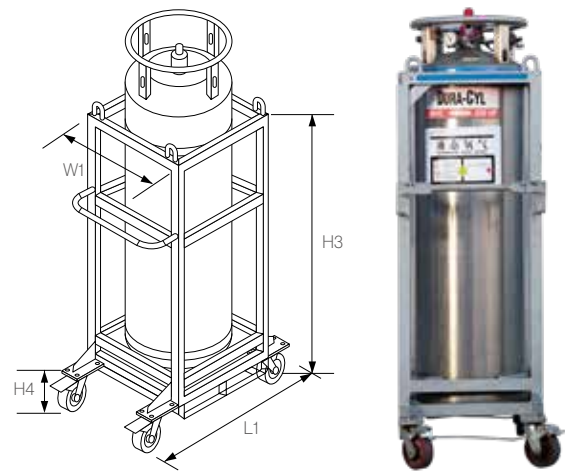
LGC (200L)

W1 = 600

L1 = 1033

H3 = 1625

H4 = 240

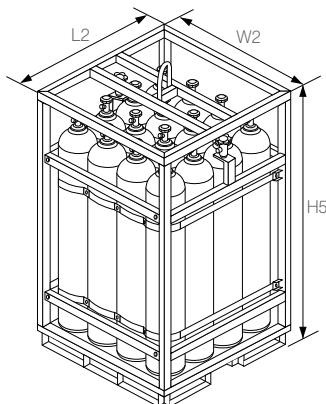


16×50L Bundle

W2 = 1018

L2 = 1018

H5 = 1895



6×50L Bundle

W3 = 503

L3 = 795

H6 = 1850

